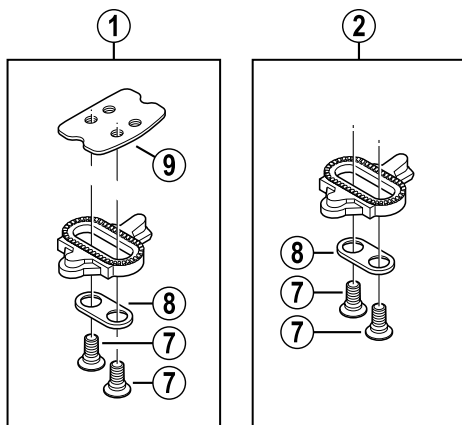
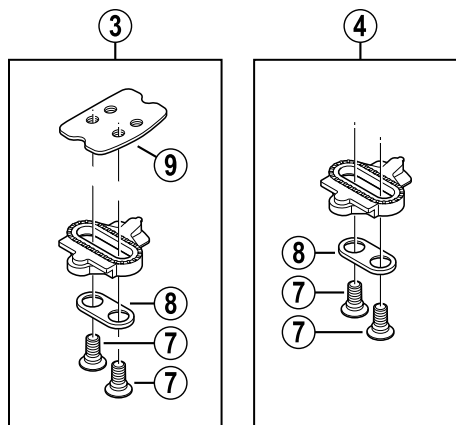


CLEAT SET for ATB

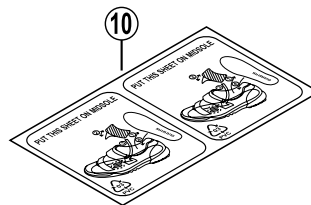
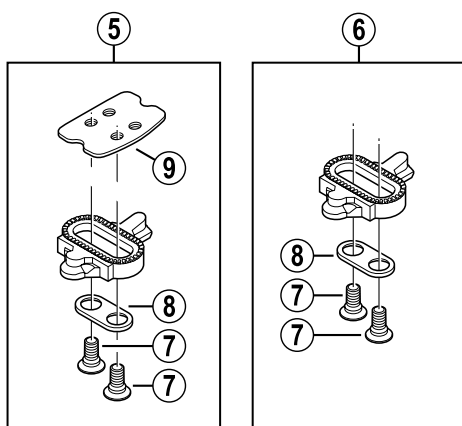
SM-SH51



SM-SH52



SM-SH56



Q'TY	ITEM NO.	SHIMANO CODE NO.	DESCRIPTION	USED MODEL
	1	Y-424 98200	SM-SH51 Cleat Set (Pair) for Single Release Mode	PD-M959/M747/M647/M646/M636/M545/M540/M536/M535/M520/M515/M505/M434/M424/M324/M323/A525/A515
	2	Y-424 98201	SM-SH51 Cleat Set (Pair) w/o Cleat Nut for Single Release Mode	
	3	Y-41M98020	SM-SH52 Cleat Set (Pair) for Single Release Mode	PD-M858/M747/M646/M636/M545/M536/M535/M515/M505/M434/M424/M324/M323/A525/A515
	4	Y-41M98021	SM-SH52 Cleat Set (Pair) w/o Cleat Nut for Single Release Mode	
	* 5	Y-41S 98090	SM-SH56 Cleat Set (Pair) for Multiple Release Mode	PD-M747/M647/M646/M636/M545/M536/M535/M515/M505/M434/M424/M324/M323/A525/A515
	* 6	Y-41S 98100	SM-SH56 Cleat Set (Pair) w/o Cleat Nut for Multiple Release Mode	
	7	Y-417 04030	Cleat Fixing Bolt (1 pc.)	SM-SH51/SH52/SH55/SH56
	8	Y-424 23000	Cleat Adapter (1 pc.)	
	9	Y-40N 01000	Cleat Nut (1 pc.)	
	10	Y-40E 98010	Waterproof Seal for Shoes	SPD Shoes